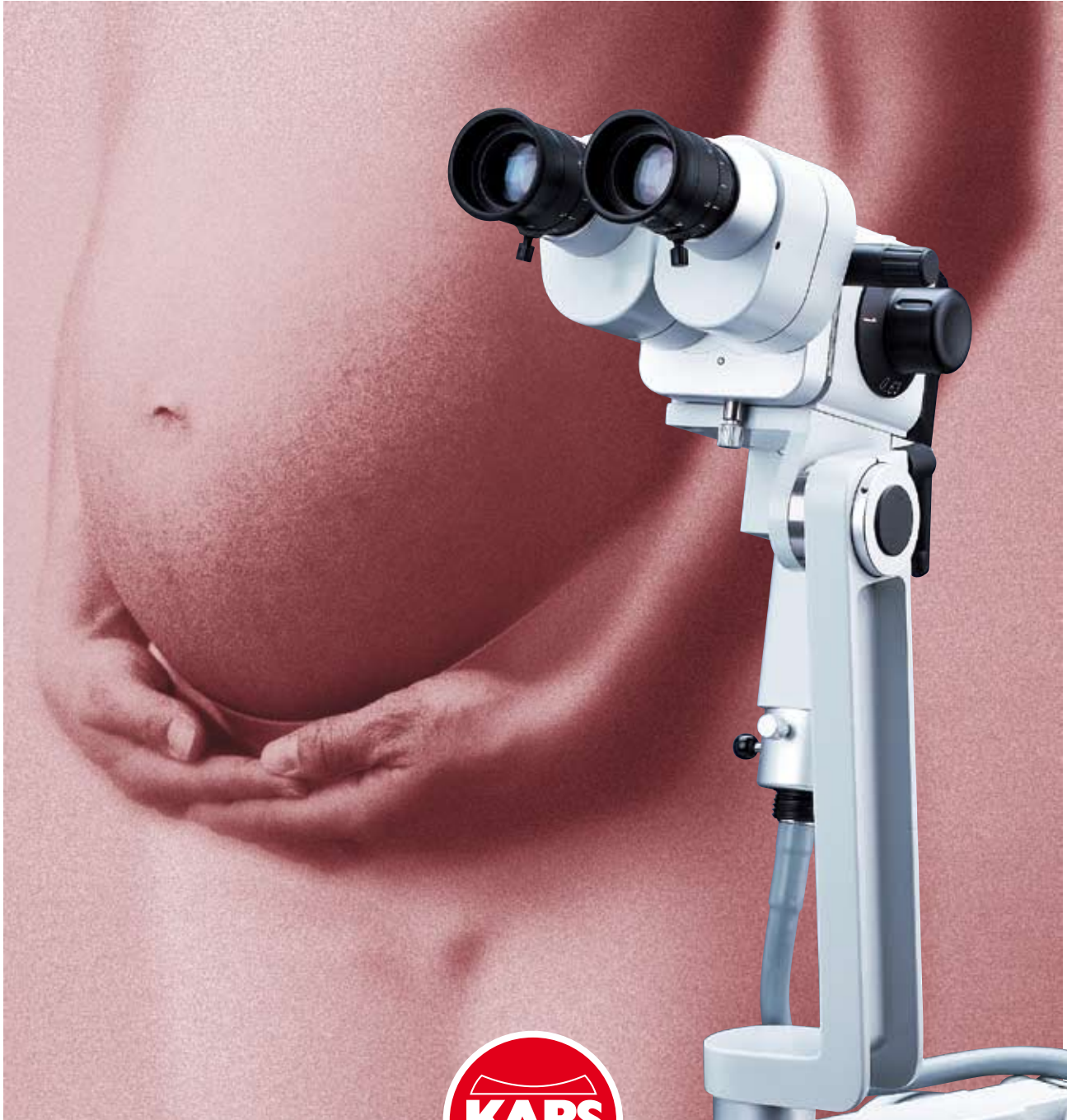




# **Kaps SOM Colposcopes**

For the modern Gynaecology Practice



# Colposcope SOM 52

*on a Mobile Stand*



**SOM 52** with Inclined Tube ( $f = 125$  mm,  $45^\circ$ ), 5-step magnification changer and manual fine focusing

## High Performance from the Colposcope Specialists

Kaps Stereo-Colposcopes combine excellent apochromatic optics and brilliant illumination with easy, precise positioning to give outstanding performance. The modular system allows additional accessories to be simply introduced whenever required.

The ergonomic design of our Colposcopes provides the user with precise, fatigue-free working and brilliant, three-dimensional images at a large depth of focus. High diagnostic success rates are therefore easily achievable.

## SOM 52 on a Mobile Stand

The colposcope is a vital instrument for successful diagnosis and therapy. With our SOM series of colposcopes the user can comfortably meet the requirements of routine daily gynaecological examinations.

The SOM 52 adapts easily to any room situation because of its stable and manoeuvrable mobile stand. It is also easy to transport between different rooms in the building, thus expanding its potential for use.

Our colposcopes can be tailored to meet individual requirements, using the options available for straight or inclinable binocular tubes, inter-changeable objective lenses, three or five step magnification or zoom. The colposcopes can also be fitted with a secondary observation system, 35mm or digital camera, video system or endoscope camera, and can also be easily adapted to accommodate a laser system. Motorised zoom and focusing options are available on request.

In choosing a Kaps colposcope you select an instrument that is unique in its adaptability and value for money.



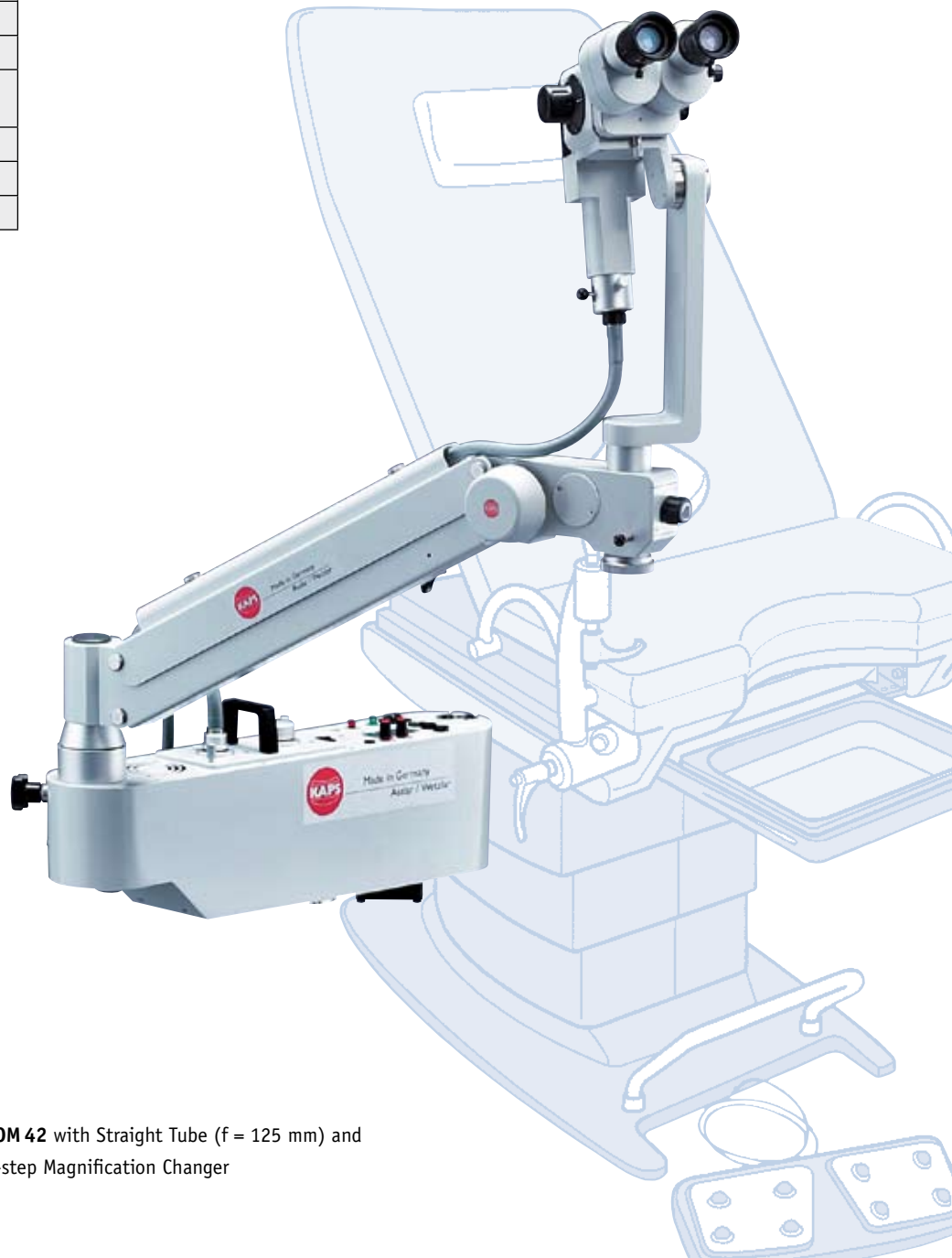
## SOM 42 for mounting on Gynae Chairs or -Couches

The SOM 42 is identical with the SOM 52 except that it is mounted on a gynae chair or -couch. This means that all the options and accessories available for the SOM 52 are available for the SOM 42 as well.

A range of space-saving adapters enables the SOM 42 to be fitted to different gynae chairs and couches from the leading manufacturers. The colposcope can be sited on the left or right hand side to suit requirements.

Special Features
Mobile stand, mounting on gynae-chairs or -couches or ceiling
Ergonomic and timesaving operation
Single-handed easy positioning of the colposcope head
Selection of various illumination systems
Swing-in green filter
Built-in diaphragm to increase depth-of-focus
Manual fine focusing
Straight or inclined tubes, according to choice
Interchangeable objectives and oculars
Extensive range of accessories for documentation. Second observer attachments
Integrated camera system "Vision"
Adaption to laser systems of leading manufacturers
Motorized version (zoom and focusing)

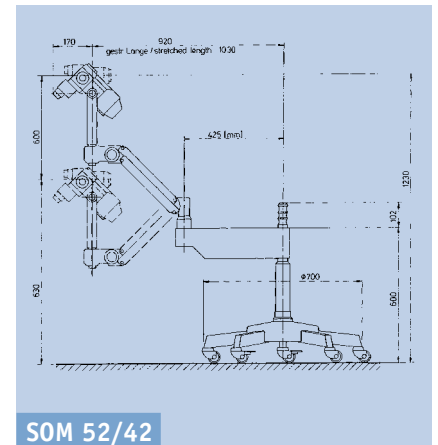
## Colposcope SOM 42



**SOM 42** with Straight Tube ( $f = 125$  mm) and 3-step Magnification Changer

# Description

<b>Illumination</b>	Coaxial halogen illumination 12 V/100 W (direct), coaxial cold-light illumination 12 V/100 W (on request 15 V/150 W). All colposcope outfits are equipped with a stand-by spare lamp and swing in green filter
<b>Working Distance/ Objectives</b>	250 mm or 300 mm are standard, other focal lengths on request
<b>Fine Focusing</b>	<b>12 mm</b> with focusing objective f = 250 mm and f = 300 mm, <b>40 mm</b> manual, <b>40 mm</b> motorized
<b>Binocular Tubes</b>	Straight tube f = 125 mm, inclined tube f = 125 mm 45° as standard, on request also straight tube f = 159 mm, inclined tube f = 159 mm 45° or wide-angle inclinable tube f = 182 mm, 0 to 210°
<b>Oculars, Pairs</b>	Wide-angle oculars with diopter lock for spectacle wearers 16xV or 20xV, on request with graticules
<b>Magnification</b>	3-step magnification changer, 5-step magnification changer, zoom 1-6 manual or motorized (apochromatic)



## Integration into Practice Rooms

These versatile colposcopes can be mounted to suit requirements. Options available are mounting on a mobile floor stand, chair or couch mounting (right or left), wall mounting or ceiling mounting.

# Accessories

<b>Integrated Video Camera "Vision"</b>	¼" CCD colour video camera, Y/C (S-VHS), FBAS (composite), 725 (H) x 582 (V) PAL
<b>Endoscopy Adaptor</b>	Fast and simple mounting between changer and binocular tube
<b>Photo/Video Documentation</b>	Beam splitter, one-sided or both-sided, TV-tube for connection to C-mount, colour-video camera, C-mount digital camera adaptor to connect a digital photo camera, photo-tube to connect a 35 mm SLR camera with T2 adaptor and D-SLR camera
<b>Second Observer Attachments</b>	Second observer, monocular or binocular
<b>Laser</b>	Adaptation of various laser system possible

## Magnification changer 5-step and binocular tube f = 125 mm

<b>Factor sign</b>	0,4	0,63	1,0	1,6	2,5	Eyepieces WF 16x
<b>Magnification</b>	2,7	4,2	6,6	10,6	16,6	
<b>Field of view Ø in mm</b>	69	45	28	17,5	13	



Karl Kaps GmbH & Co.KG • P.O. Box 12 25 • 35608 Asslar/Wetzlar  
 Fon (+49) 64 41 8 07 04-0 • Fax (+49) 64 41 8 59 85  
 www.kaps-optik.de • e-mail: info@kaps-optik.de • www.colposcopes.com