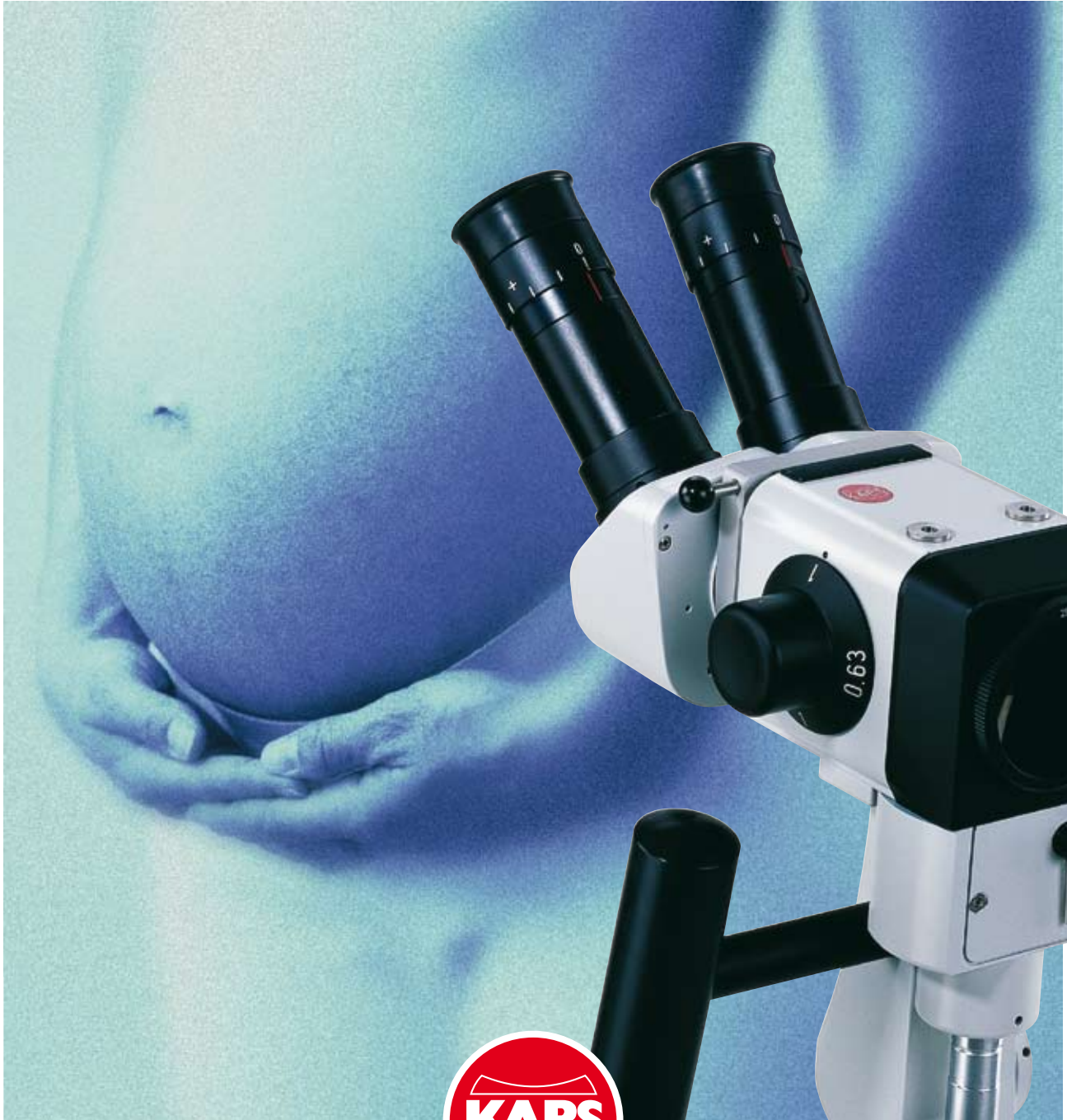




Kaps KP3000 Colposcopes

For The Modern Gynaecology Practice

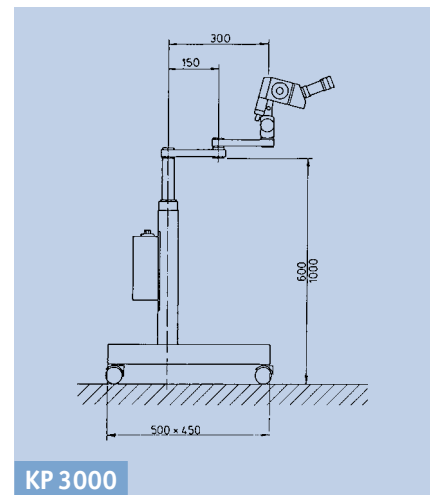


Colposcope KP 3000



No Compromise On Quality

Successful diagnosis begins with the colposcope. The KP 3000, with its modern, contemporary design, has been specially developed for daily diagnosis purposes. Despite its attractive price, the KP 3000 meets our high standards of quality, while not compromising accessories. A comprehensive range of accessories is available for this handy, flexible instrument. Whether mounted to a tripod or to the chair, the high-power, fibre optic, cold light source combined with single magnification or 3-step changer, straight or inclined binocular tubes, interchangeable lenses and eyepieces, the T-handle which can be mounted at either side, provide an exceptionally high degree of flexibility in day-to-day use. An optional video camera can be integrated enabling coobservation as well as documentation via video tape recording or computerization.



KP 3000 with inclined tube
($f=125\text{ mm}$) 3-step magnification
changer, T-handle
and manual fine focusing



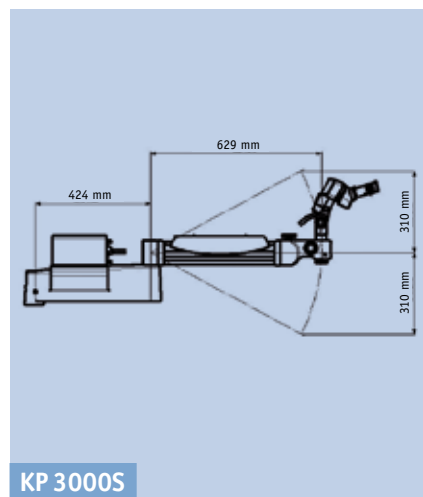
Mounting To The Examination Chair

The colposcope head and illumination of the KP 3000S are the same as those used on the KP 3000. The KP 3000S can be mounted to the left or to the right of all customary examination chairs with various mountings.

The combination swivel and suspension arm permits exact positioning of the KP 3000S, for comfortable, timesaving handling. When not in use, it can be swung aside, thus saving space.

Special features
Easy one hand movability into horizontal and vertical direction
Rolling (4 wheel base) or firm attachment to examine chairs and tables
Bright coaxial fiber optic illumination 12 V / 100 W, continuously adjustable (220 und 110 V)
Green filter
Magnification changer 3-step
Straight or inclined binocular tubes on choice
Changeable objectives and eyepieces
Handle controlled precision focusing
Integrated video system "vision" can be adapted
objective fine focussing upgradable

Colposcope KP 3000S



KP 3000S



KP 3000S with straight tube
($f=125\text{mm}$) fixed magnification
and T-handle

Accessories For Kaps Colposcopes



Cold light source 12V/100W, continuously variable, ready for operation (can also be used as a separate cold light source in endoscopy). Adapters for cold light cables from Wolf, Storz, Olympus, ACMI and other manufacturers are available.

Replacement cold light cable: Kaps l=760 mm or l=1,400 mm (other lengths available on request)

The integrated beam splitter with c-mount adaptation allows various analogue and digital cameras to be connected to Karl Kaps SOM® and KP 3000 series as well as slit lamps:

- The new „TWO IN ONE“ design is the best alternative to conventional beam splitter with TV-tube (f=54mm)
- Excellent images and unequalled operating comfort set a new standard in the field of documentation systems
- Through the compact ergonomic design it doesn't come to undesirable movement turnings, the camera can be mount above as well as down
- Height and side correct image orientation with individually upright adjustment which allows an easy and fast changing of the camera position by turning
- Only 420 grams, thus there is no impairment of the microscope handling



Technical Details KP 3000

Rolling base	600 mm height, adjustable
Binocular straight tube Binocular inclined tube 45°	f = 125 mm (on choice f = 159 mm) f = 125 mm (on choice f = 159 mm)
Objectiv	f = 300 mm (on choice f = 250 mm)
Eyepieces (WF)	WF 20 x V mit Dioptrieausgleich (on choice WF 16 x V)
Green filter	swing in green filter
Cold light illumination	12 V/100 W continuously adjustable (110 V and 220 v)
T-handle	can be mounted left or right side

Magnification with 3-step changer

	Magnification	Field of view Ø
Objective f = 250 mm	6,5x	30 mm
	10,0x	18 mm
	16,0x	12 mm
Objective f = 300 mm	5,0x	36 mm
	8,0x	22 mm
	13,0x	15 mm

Magnification without changer (basic version)

	Magnification	Field of view Ø
Objective f = 250 mm	10,0x	18 mm
Objective f = 300 mm	8,5x	22 mm

Eyepieces WF 20x



Karl Kaps GmbH & Co.KG • P.O. Box 12 25 • 35608 Asslar/Wetzlar
 Fon (+49) 64 41 8 0704-0 • Fax (+49) 64 41 8 5985
 www.colposcopes.com • www.kaps-optik.de • e-mail: info@kaps-optik.de